



POWERBALL 300

FIRE PROTECTION • SLOW-CLOSE BUTTERFLY VALVE • 300 PSI

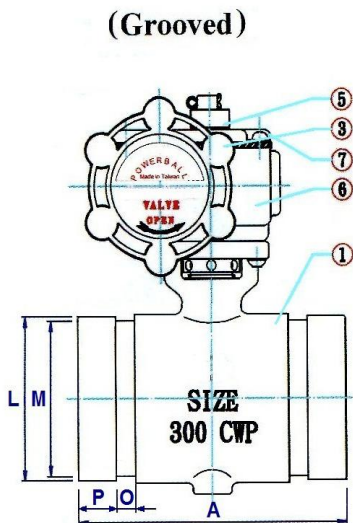
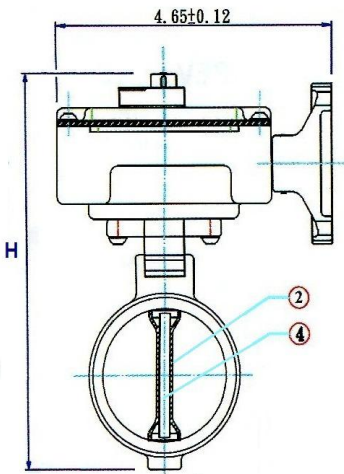


The Powerball 300 is a Sprinkler Control Valve for indoor and outdoor use. Brass body, stainless steel disc, and 300 psi/20.7 bar. UL Listed/ FM Approved. Available in sizes 1-1/4" – 2-1/2". Complete with Position Indicator and integral Tamper Switch.

NOTE:

- Grooved ends to AWWA C606 for steel pipe.
- Packing Gland with Adjustable Glands shall be accessible for tightening stem seals without the disassembly of the valve or operator parts U.S. Patented 6629.683.B2

MATERIAL LIST		
NO.	NAME	MATERIAL
1	BODY	BRONZE ASTM 584 C83600
2	DISC	SS304
3	HANDWHEEL	ASTM A216 WCB
4	SEAT	ASTM D2000 VITON
5	INDICATOR	POWDER METAL FD0205 95HT
6	HOUSING	FORGED BRASS JIS C3771 (REF. ASTM C37700)
7	COVER	FORGED BRASS JIS C3771 (REF. ASTM C37700)



LPBG (Grooved Ends)					
SIZE	1"	1-1/4"	1-1/2"	2"	2-1/2"
A		3.86	4.02	4.09	4.49
H		5.20	5.47	6.07	6.58
P		0.63	0.63	0.63	0.63
O		0.31	0.31	0.31	0.31
M		1.54	1.78	2.25	2.72
L		1.67	1.90	2.37	2.87

The information contained herein is believed to be reliable but is for guidance only. Brecco Distribution and its agents cannot assume liability for results obtained in the use of its products by the persons whose methods are outside or beyond our control. It is the user's responsibility to determine the suitability of any products, methods of use, or preparation prior to use, mentioned in our literature. It is the user's responsibility to observe and adapt such precautions as may be advisable for the protection of personnel and property in the handling and use of any of our products.

Brecco Distribution Corp.

77 N. 45th Avenue Ste #1 Phoenix, AZ. 85043
 P: (800)543-4194 F: (602)484-9248