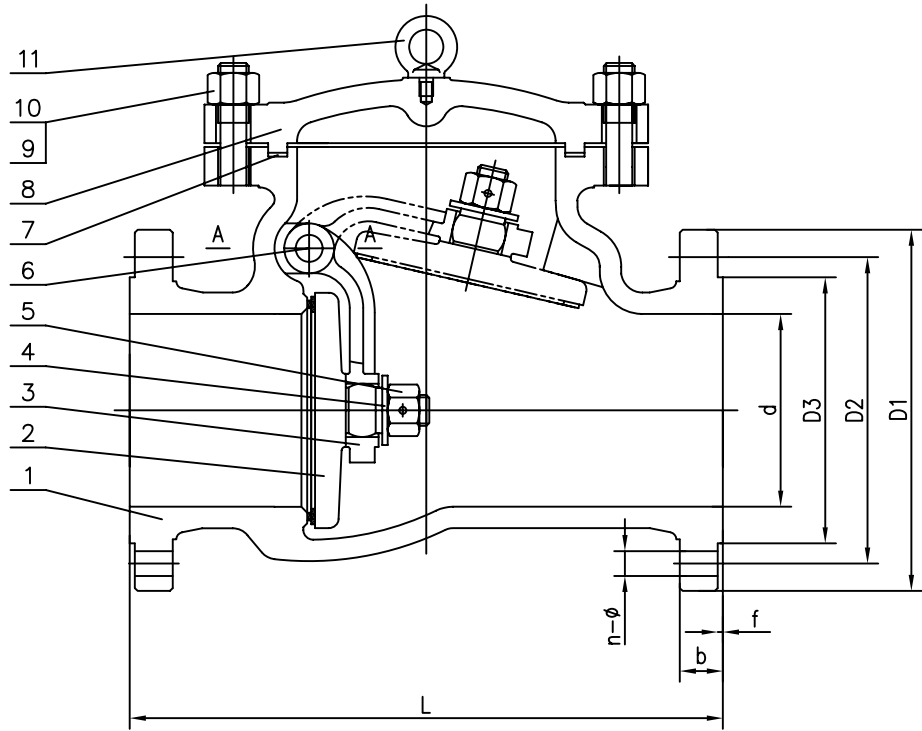


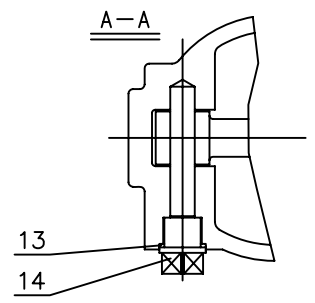
CLASS	NPS	Dimension (mm)							
		d	D1	D2	D3	b	f	L	n- ϕ
150Lb	2"	51	152	120.5	92	16	1.6	203	4- ϕ 19
	6"	152	279	241.5	216	26		356	8- ϕ 22



Performance Standard			
Class 150Lb			
Test Pre- ssure	Shell Test	3.0	MPa
	Back Seal Test	-	
	Seal Test	2.2	
	Air Test	-	

MAIN PARAMETER SPECIFICATION

- Design and manufacture: ASME B 16.34
- Face to face : ASME B 16.10
- End flange Dimensions : ASME B 16.5
- Pressure test : API 598



7	Gasket	PTFE	14		
6	Hinge Pin	ASTM B473	13	Drain Plug	Stainless Steel
5	Disc Nut	A194 8M	12	Gasket	T2
4	Disc Washer	Stainless Steel	11	Hook Screw	Stainless Steel
3	Hinge	A351 CN7M	10	Bolt	A193 B8M
2	Disc	A351 CN7M	9	Nut	A194 8M
1	Body	A351 CN7M	8	Bonnet	A351 CN7M
NO.	Parts Name	Material	NO.	Parts Name	Material

APPROVED BY Simon Zhu	DRAWING BY T. D.	SCALE *	MATERIAL CN7M	PARTS NAME	PART NO	REMARK	MODEL NO. CLASS 150 -RF SWING CHECK VALVE NPS2"-6"
DATE 2010.04.20	CHECK BY	UNIT mm	PROJECT 	DESCRIPTION	DRAWING NO	DIE ERSTE Industry Co., Ltd.	