



Model: TC-211FF-150

Rating: Class 150

Design feature:

- Direct-mounting of actuator to valves, low cost and easy automation.
- Integral twin pattern ISO 5211 mounting pad for double & spring return actuator.
- Bottom Entry Blow-Out Proof Stem & Antistatic Device design Provides Maximum Safety.
- Wide range of seat & seal materials is available.
- Investment cast body construction.
- DIN EN10204-3.1 Certificate Available

Specifications:

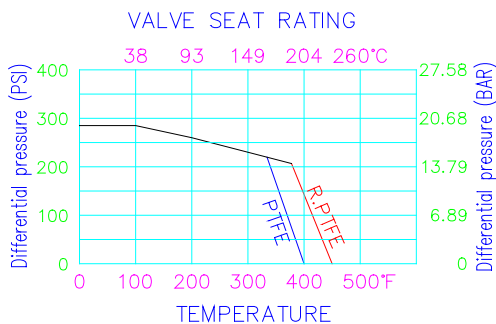
- Construction: bolted body side-entry floating ball design.
- Flow bore: full port.
- Rating: ANSI Class 150;
150 PSI Saturated Steam.
- Temperature: -20°F ~ 400°F (PTFE/ R.PTFE)
- Materials: ASTM CF8M, CF8, WCB, Alloy20
- Size range: 1/2"~12".

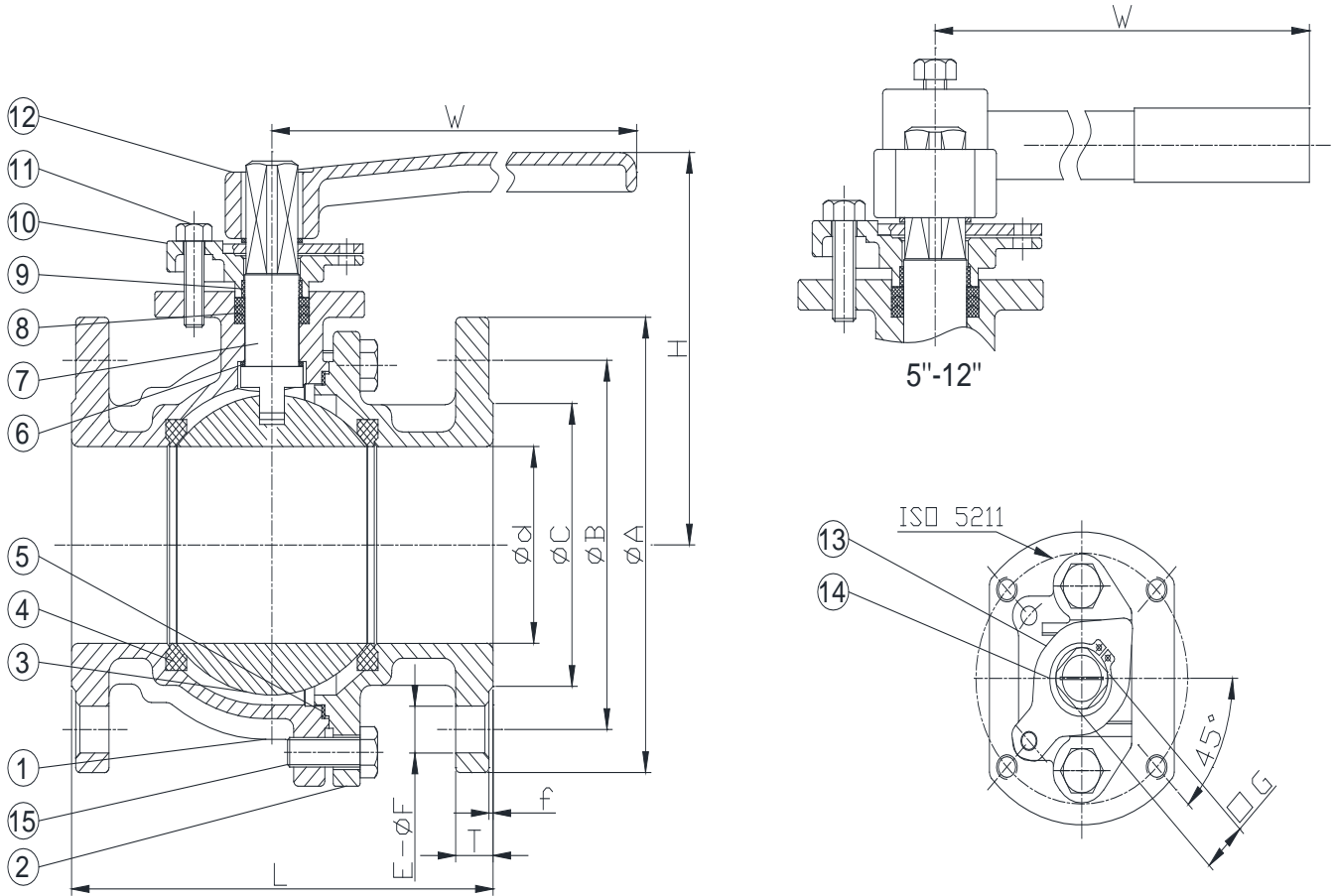
Standard:

- Basic Design to ANSI B16.34
- Flange Dimension to ANSI B16.5 Class 150.
- Face-to-face meets to ANSI B16.10 Class 150.
- Inspection & testing according to API 598.
- PED 97/23/EC; ISO 9001, CRN.

Dimensions List

Size	d	L	W	H	A	B	C	T	f	E	F	G	ISO 5211
1/2	15	108	160	92	89	60.5	35	11.1	1.6	4	16	12	F04
3/4	20	117	160	98	98	70.0	43	11.1	1.6	4	16	12	F04
1	25	127	160	103	108	79.5	51	11.1	1.6	4	16	12	F05
1-1/4	32	140	160	107	117	89.5	64	12.7	1.6	4	16	12	F05
1-1/2	40	165	230	112	127	98.5	73	14.3	1.6	4	16	17	F07
2	50	178	230	122	152	120.5	92	15.9	1.6	4	19	17	F07
2-1/2	65	190	350	151	178	139.5	105	17.5	1.6	4	19	21	F07
3	80	203	350	161	190	152.5	127	19.1	1.6	4	19	21	F10
4	100	229	350	175	229	190.5	157	23.9	1.6	8	19	21	F10
5	125	356	750	224	254	216.0	186	23.9	1.6	8	22	24	F12
6	150	394	750	247	279	241.5	216	25.4	1.6	8	22	24	F12
8	200	457	1000	305	343	298.5	270	28.6	1.6	8	22	32	F12
10	250	533	1000	327	406	362.0	324	30.2	1.6	12	25	32	F14
12	300	610	1000	355	483	432.0	381	31.8	1.6	12	25	32	F14





STANDARD TYPE MATERIALS LIST:

NO	PART NAME	MATERIAL	NO	PART NAME	MATERIAL
1	BODY	CF8M/ CF8/ WCB/ALLOY 20	12	HANDLE	FCD
2	END CAP	CF8M/ CF8/ WCB/ALLOY 20	13	STOP PIN	SS304
3	SOLID BALL	CF8M/CF8/ALLOY 20	14	C-TYPE RING	SS304
4	BALL SEAT	PTFE	15	BOLT	SS304
5	BODY SEAL	PTFE	16		
6	THRUST WASHER	PTFE+25% G.F.	17		
7	STEM	SS316/SS304/ALLOY 20	18		
8	STEM PACKING	PTFE	19		
9	STEM BUSHING	PTFE	20		
10	GLAND	CF8	21		
11	GLAND BOLT	SS304	22		