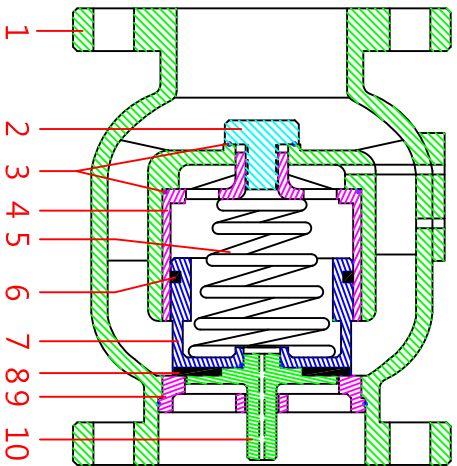
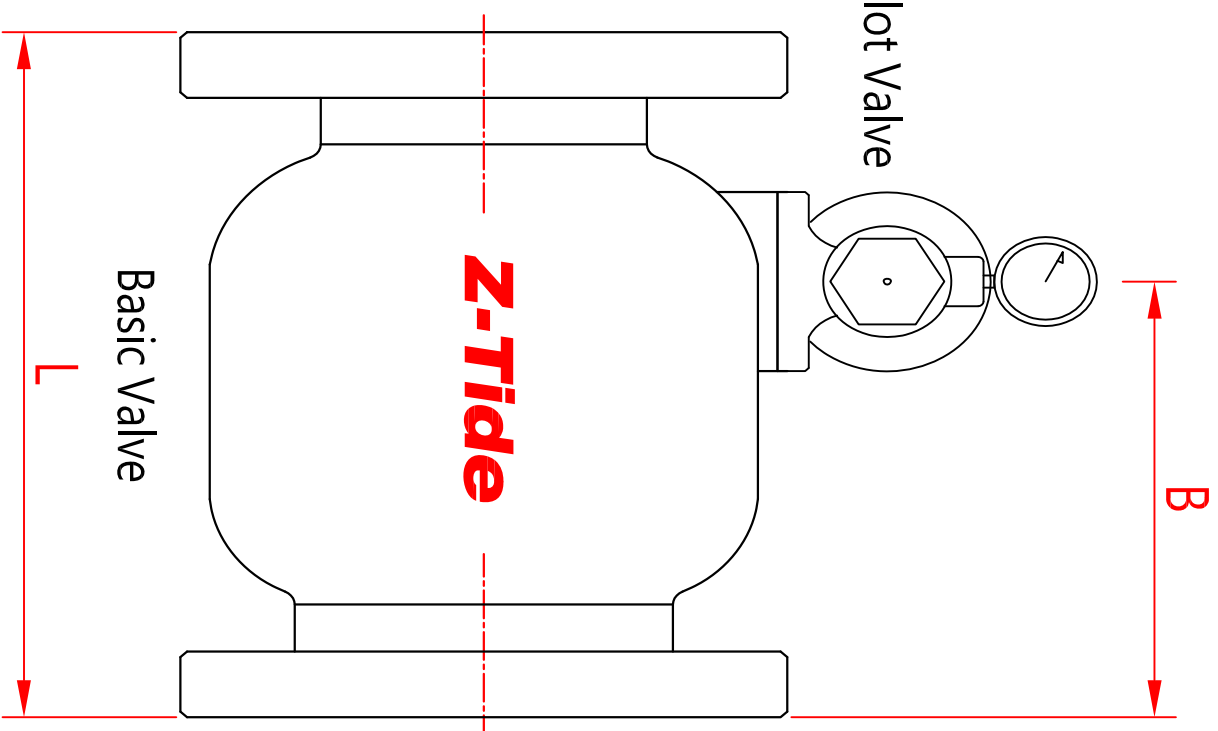
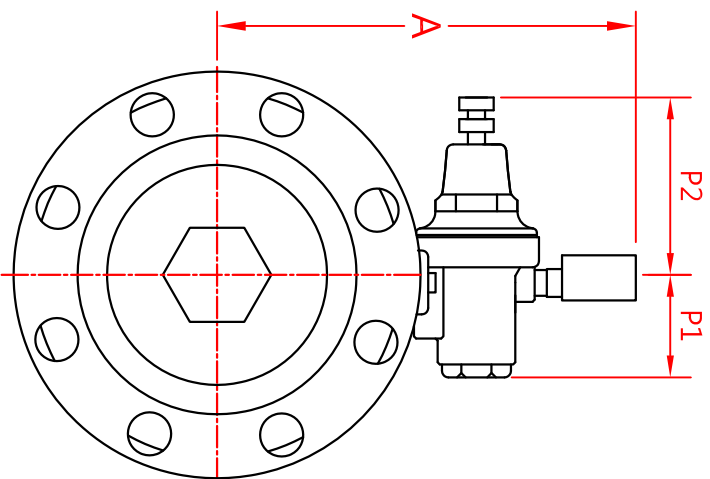


| NO | Part Name | Materials | Materials |
|----|------------------|-----------------|--------------|
| 1 | Screw | Stainless Steel | Brass |
| 2 | Spring Housing | ABS | ABS |
| 3 | Diaphragm Washer | Stainless Steel | Brass |
| 4 | Body | Stainless Steel | Brass |
| 5 | Piston | Stainless Steel | Brass |
| 6 | Fastening bolt | Stainless Steel | Brass |
| 7 | Shaft | Stainless Steel | Brass |
| 8 | O-ring | NBR | NBR |
| 9 | Sealing spacer | NBR | NBR |
| 10 | Diaphragm | Nylon | Nylon |
| 11 | Nut | Stainless Steel | Brass |
| 12 | Spring | Spring Steel | Spring Steel |



| NO | Part Name | Materials | Materials | Materials | Materials | Materials |
|----|---------------|---------------------|---------------------|---------------------|---------------------|-----------|
| 1 | Main body | Cast Iron | Ductile Iron | Bronze | Stainless Steel 304 | |
| 2 | Cylinder bolt | Bronze | Bronze | Bronze | Stainless Steel 304 | |
| 3 | O-ring | NBR | NBR | NBR | NBR | |
| 4 | Cylinder | Bronze | Bronze | Bronze | Stainless Steel 304 | |
| 5 | Spring | Stainless Steel 304 | Stainless Steel 304 | Stainless Steel 304 | Stainless Steel 304 | |
| 6 | U-ring | NBR | NBR | NBR | NBR | |
| 7 | Piston | Bronze | Bronze | Bronze | Stainless Steel 304 | |
| 8 | Sealing | NBR | NBR | NBR | NBR | |
| 9 | Seat | Bronze | Bronze | Bronze | Stainless Steel 304 | |
| 10 | Shaft | Bronze | Bronze | Bronze | Stainless Steel 304 | |



Z-Tide Valves

ELITE LINE INDUSTRIAL CORP.

Pressure Reducing Valve

Pilot Control

Designed

Unit

Dwg. No

Proj. No

MM

Checked

Date

BFR-FL

25.Aug.08