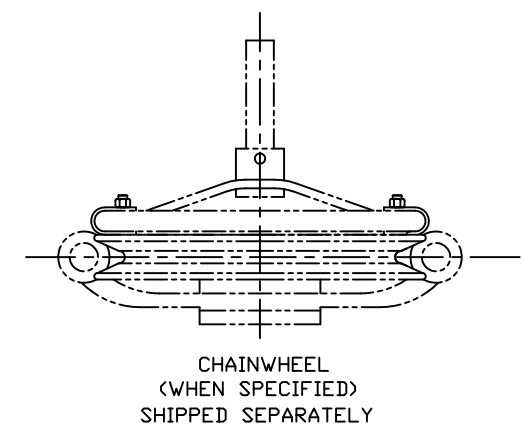
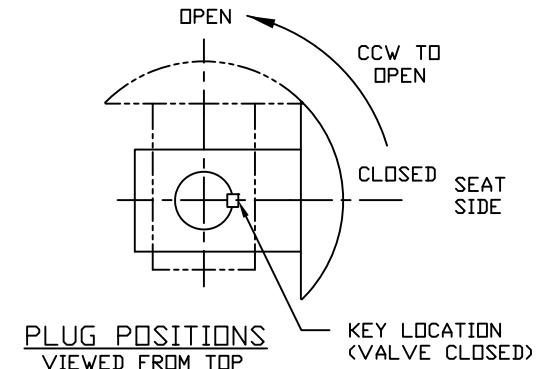
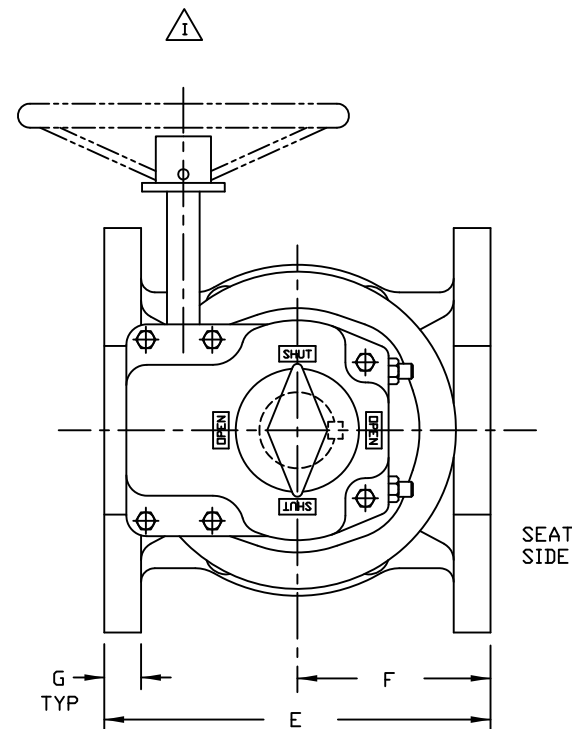
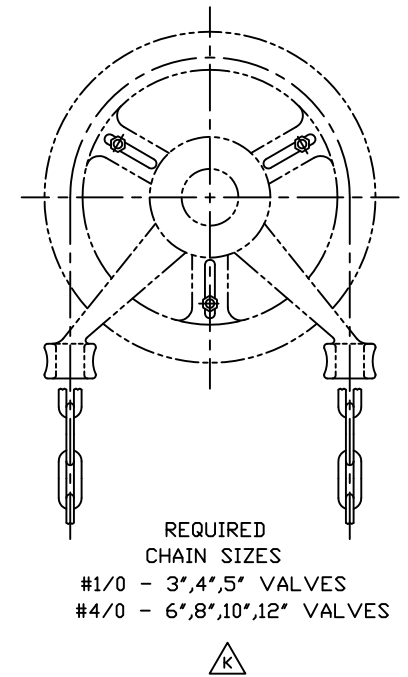
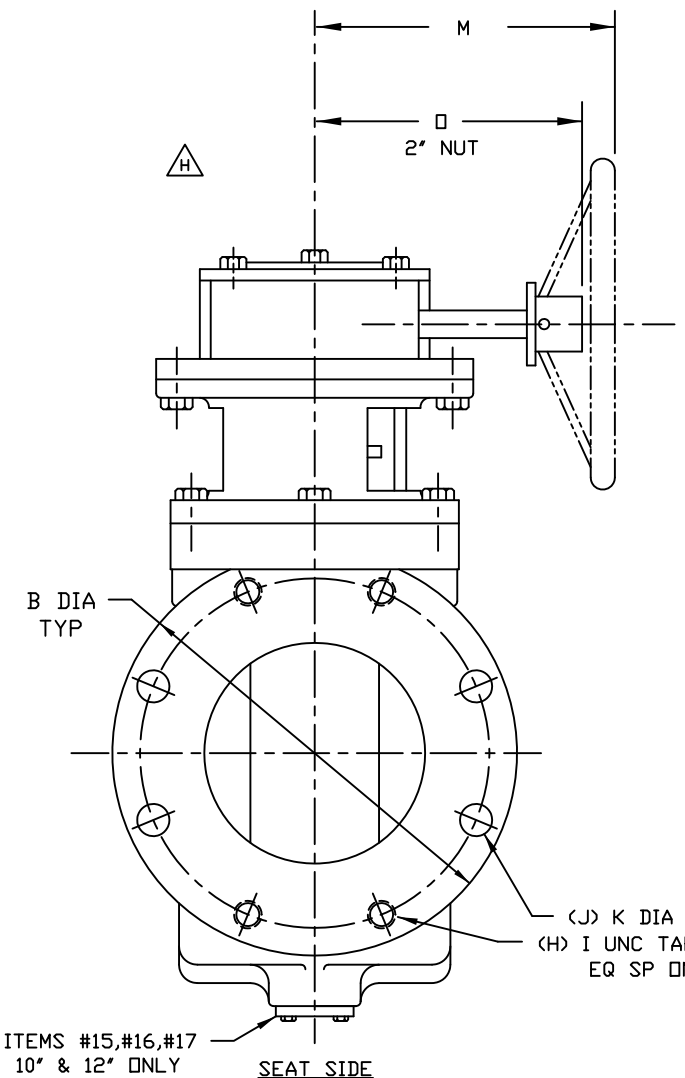
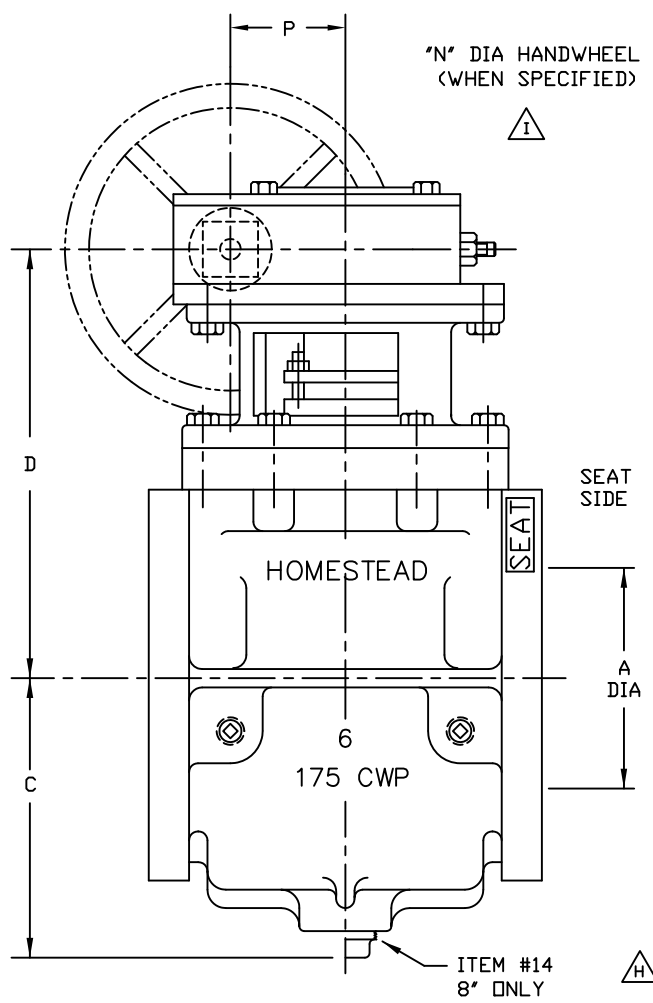


TABLE OF DIMENSIONS (INCHES)

VALVE SIZE-A	B	C	D	E	F	G	H	I	J	K	L	M	N	O	P
3.00	7.50	4.28	7.16	8.00	4.00	.75	-	-	4	.750	6.00	7.31	6.00	6.75	2.76
4.00	9.00	5.18	7.92	9.00	4.50	.94	-	-	8	.750	7.50	7.31	6.00	6.75	2.76
5.00	10.00	5.18	7.92	10.00	5.00	.94	-	-	8	.875	8.50	7.31	6.00	6.75	2.76
6.00	11.00	6.88	11.66	10.50	5.25	1.00	4	.75-10	4	.875	9.50	7.62	12.00	6.75	2.76
8.00	13.50	9.14	13.50	11.50	5.75	1.12	4	.75-10	4	.875	11.75	8.19	12.00	7.25	3.54
10.00	16.00	10.06	16.88	13.00	6.50	1.19	4	.88-9	8	1.00	14.25	8.19	12.00	7.25	3.54
12.00	19.00	14.71	19.38	14.00	7.00	1.25	4	.88-9	8	1.00	17.00	8.19	12.00	7.25	3.54



- NOTES:
- VALVES ARE MANUFACTURED IN ACCORDANCE WITH ANSI/AWWA C517-09, "RESILIENT-SEATED CAST IRON ECCENTRIC PLUG VALVES."
 - END FLANGE DIMENSIONS AND DRILLING ARE IN ACCORDANCE WITH ASME/ANSI B16.1, CLASS 125, "CAST IRON PIPE FLANGES AND FLANGE FITTINGS."
 - PAINT: BLUE - SEMI-GLOSS METAL PRIMER
 - ELASTOMERS AVAILABLE: BUNA-N, EPDM, NEOPRENE, VITON



23	CHAINWHEEL ASSY	WHEN SPECIFIED
22	PIPE PLUG	A126 CLB
21	KEY	STEEL
20	GEAR	COMMERCIAL
19	CAP SCREW	STEEL, ZINC PLATED
18	COVER PLT (6")	A126 CLB
17	CAP SCREW (10" & 12")	STEEL, ZINC PLATED
16	SEAL (10" & 12")	SEE NOTE 4
15	BOTTOM PLT (10" & 12")	A126 CLB
14	BOTTOM PLUG (8")	A126 CLB
13	SEAL	SEE NOTE 4
12	HEX NUT	STEEL, ZINC PLATED
11	STUD	STEEL, ALLOY
10	PACKING GLAND	A126 CLB
9	PACKING	V-RING, SEE NOTE 4
8	RADIAL BEARING	PERM. LUBRICATED 316SS
7	THRUST BEARING	PTFE
6	THRUST BEARING	PTFE
5	RADIAL BEARING	PERM. LUBRICATED 316SS
4	CAP SCREW	STEEL, ZINC PLATED
3	MTG BRACKET	A126 CLB
2	PLUG 10", 12"	A536 65-45-12/NOTE 4
	PLUG 3", 4", 5", 6", 8"	A126 CLB/SEE NOTE 4
1	BODY	A126 CLB/NICKEL SEAT
NO.	PART NAME	MATERIAL

PARTS LIST

HOMESTEAD® VALVES
 A DIVISION OF OLSON TECHNOLOGIES, INC.
 160 WALNUT ST. ALLENTOWN, PA. 18102 (610) 770-1100

REV	ISSUE	BY	APPR	DATE	TITLE	NUMBER
K	S1600	RH		6/18/14	3"-12" ECCENTRIC PLUG VALVE w/ GEAR	SK-4039
J	S1421	RH	DED	5/10/12		
I	S1298	RH	DED	1/25/11		
H	S1249	RH	DED	7/1/10		